

ERA92-02 (1.0A)

(200V / 1.0A)

LOW LOSS SUPER HIGH SPEED RECTIFIER

Features

- Ultra small package
possible for 5mm pitch automatic insertion
- Low V_F
- Super high speed switching
- High reliability by planer design

Applications

- High speed switching

Maximum ratings and characteristics

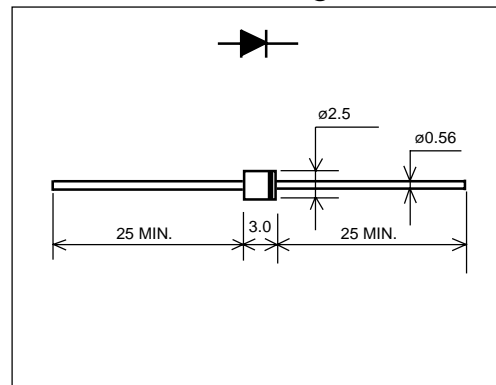
- Absolute maximum ratings

Item	Symbol	Conditions	Rating	Unit
Repetitive peak reverse voltage	V_{RRM}		200	V
Non-repetitive peak reverse voltage	V_{RSM}		200	V
Average forward current	$I_{F(AV)}$	duty=1/2, $T_a=25^\circ\text{C}$ Square wave	1.0	A
Surge current	I_{FSM}	Sine wave 10ms $T_j=150^\circ\text{C}$	25	A
Operating junction temperature	T_j		-40 to +150	$^\circ\text{C}$
Storage temperature	T_{stg}		-40 to +150	$^\circ\text{C}$

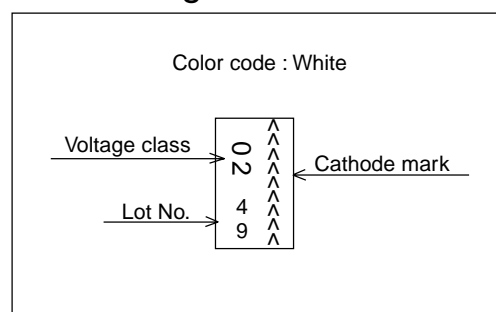
- Electrical characteristics ($T_a=25^\circ\text{C}$ Unless otherwise specified)

Item	Symbol	Conditions	Max.	Unit
Forward voltage drop	V_{FM}	$I_{FM}=1.0\text{A}$	1.05	V
Reverse current	I_{RRM}	$V_R=V_{RRM}$	50	μA
Reverse recovery time	t_{rr}	$I_F=0.1\text{A}$, $I_R=0.2\text{A}$, $I_{rec}=0.05\text{A}$	35	ns

Outline drawings, mm

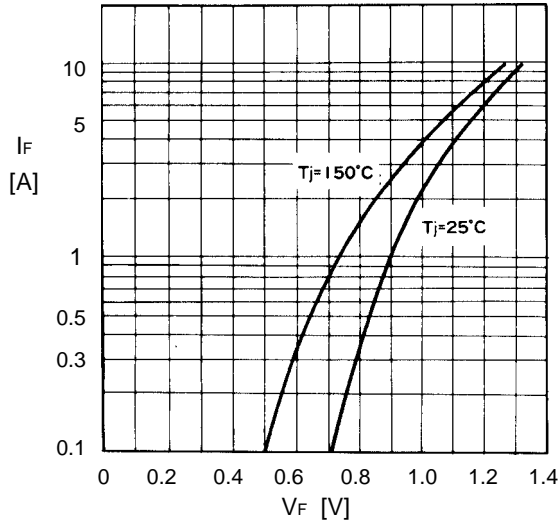


Marking

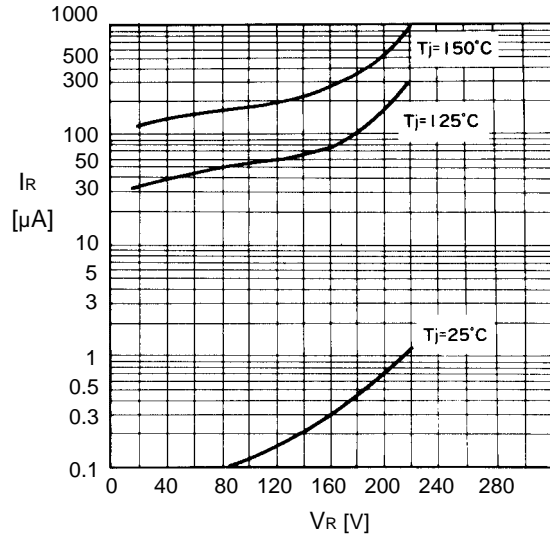


■ Characteristics

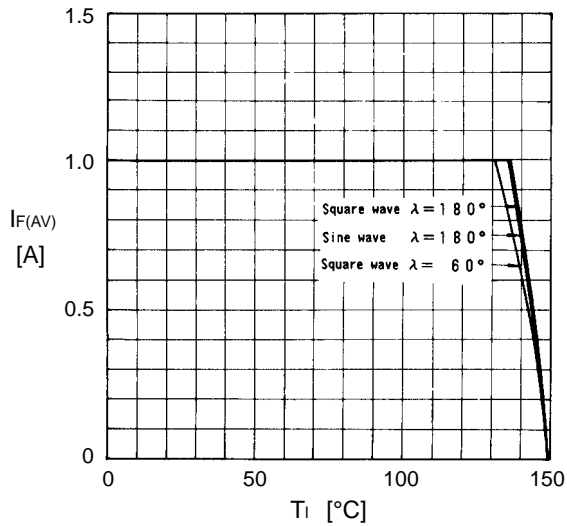
Forward characteristics



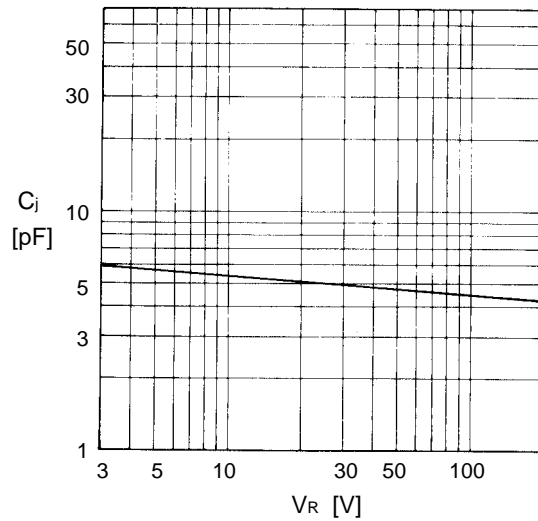
Reverse characteristics



Current derating ($I_{F(AV)}-T_i$)



Junction capacitance characteristics



Surge capability

